

Online Transaction Processing

Dr. Brian L. Dos Santos

Introduction

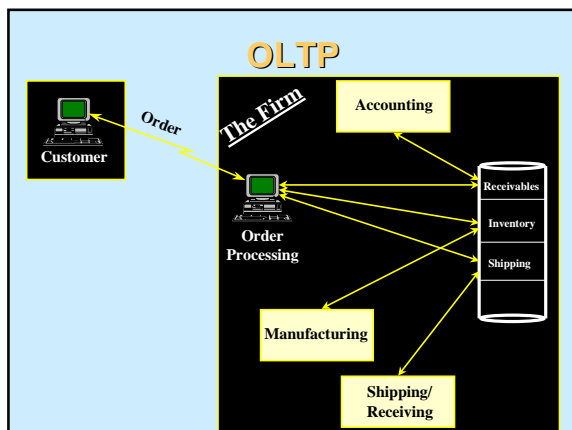
- Processing business transactions online -- with an emphasis on Web-based transactions.
- You will learn about the issues and potential problems that are faced when processing transactions online, with an emphasis on the specific problems faced when dealing with Internet transactions.

Agenda

- What is online transaction processing and what are the key problems that must be addressed?
- How is it done within an organization and what are the problems faced when it is interorganizational?
- How can it be done on the Internet -- a look at the Cold Fusion system.

What is online transaction processing (OLTP)?

- OLTP is the processing of business transactions as they occur; involves performing all activities that are necessary to record & process a transaction from the firm's perspective.
- Examples: ATM transactions, airline reservations.



OLTP -- Advantages

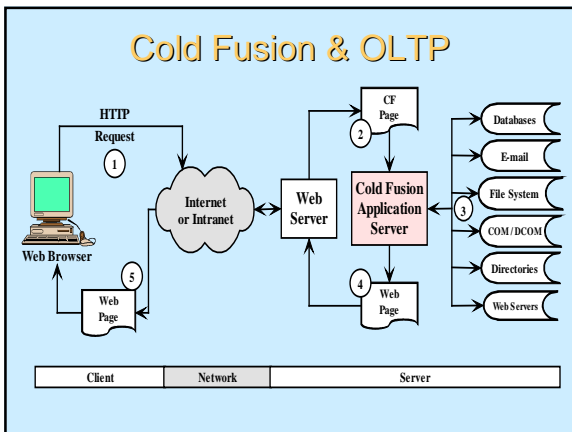
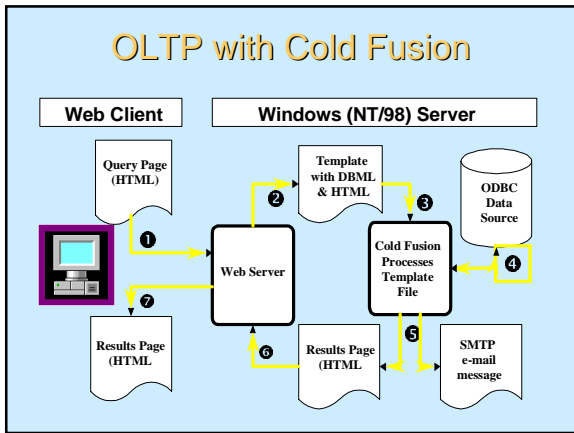
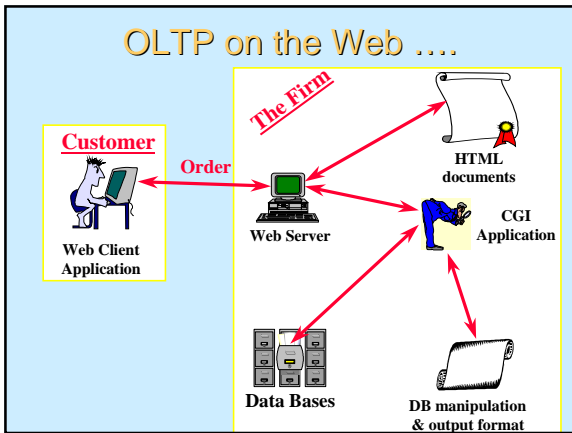
- Information is current
- Reduce cycle time
- Reduce labor costs
- Increase accuracy

OLTP -- Key Issues

- Security
- Integrity
 - transaction apparently processed but data not updated correctly.
- Backup
- Recovery

OLTP on the Web

- OLTP on the Web involves the processing of transactions that the user submits by filling out a form using a Web client (e.g., Netscape).
- Transactions are processing by having a Web server call on an application that can process these transactions.



Summary

- We have discussed what OLTP is and what it entails.
- We are aware of some of the problems that have to be dealt with.
- How does OLTP take place and what is required to do it on the Web.
- A brief introduction to Cold Fusion was provided.